



# Parts Manual

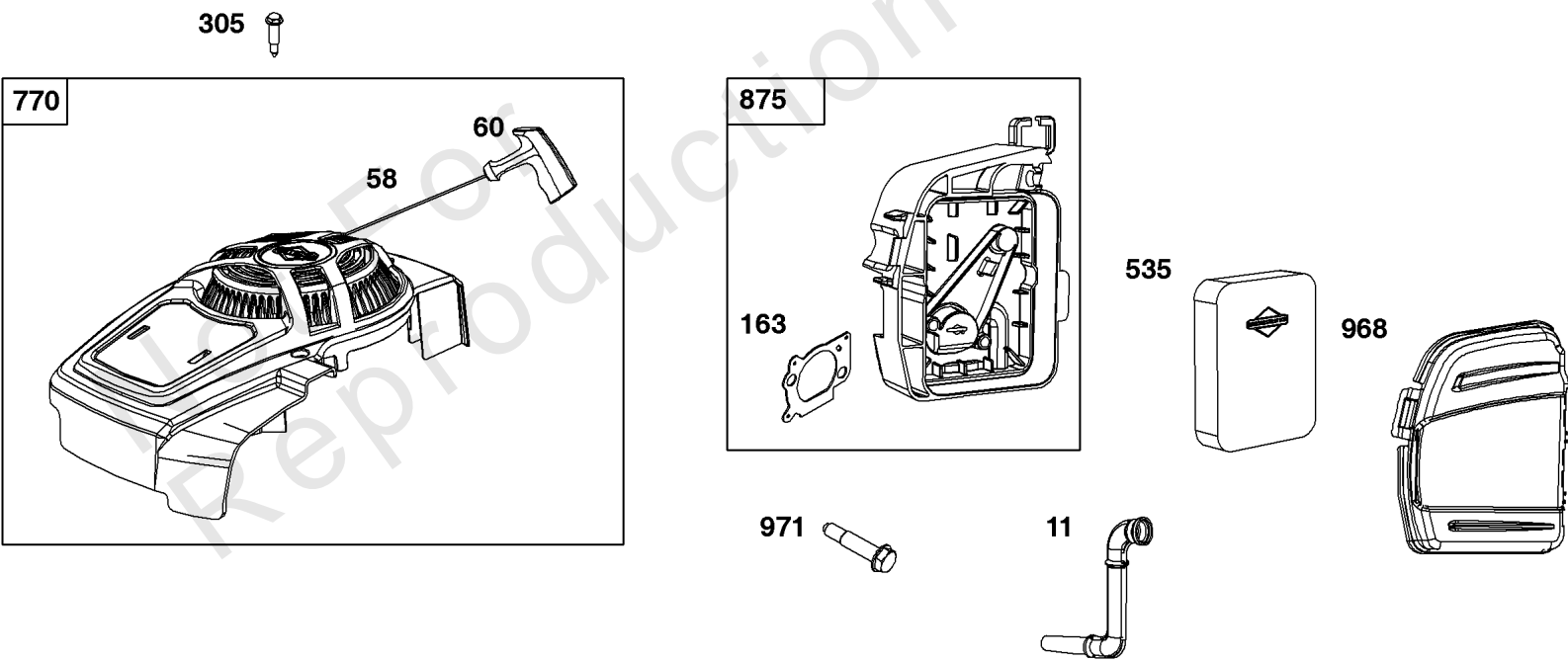
Mfg. No: 121P02-0001-F1



---

<b>Model Components</b>	<b>Page</b>
Blower Housing and Air Cleaner Group.....	4
Carburetor and Fuel Supply Group.....	6
Controls Group.....	8
Crankcase Cover/Sump and Lubrication Group.....	10
Crankshaft Group.....	12
Cylinder Group.....	14
Cylinder Head Group.....	16
Exhaust Group.....	18
Flywheel, Ignition, and Starter Group.....	20
Service Parts and Tools Group.....	22

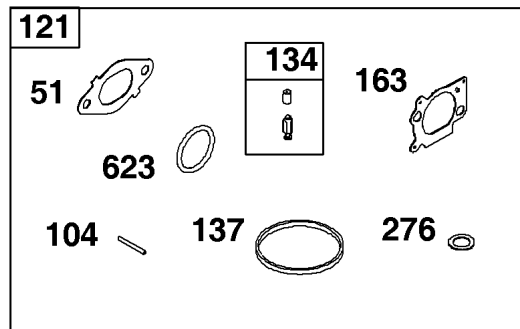
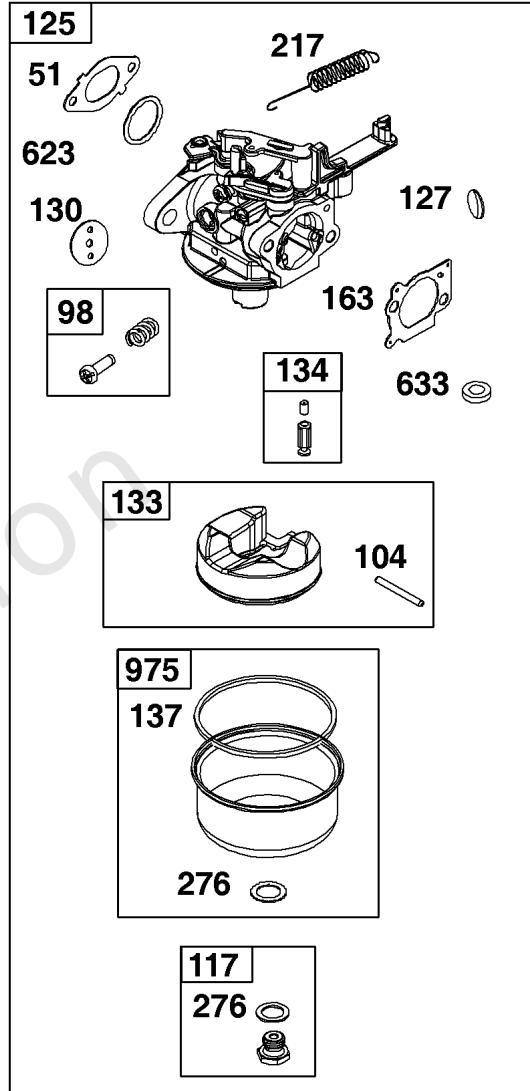
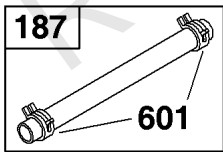
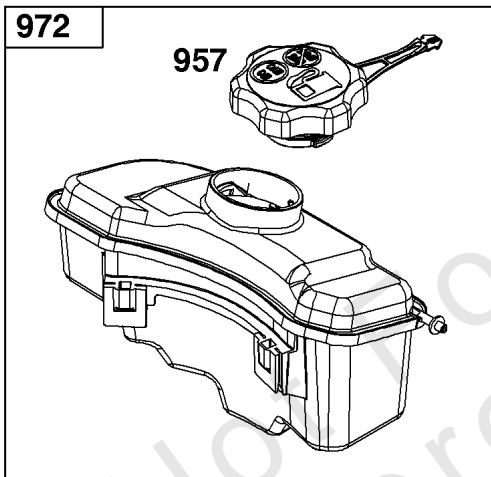
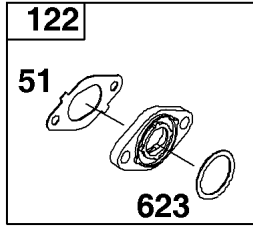
Not For  
Reproduction



## ***Blower Housing and Air Cleaner Group***

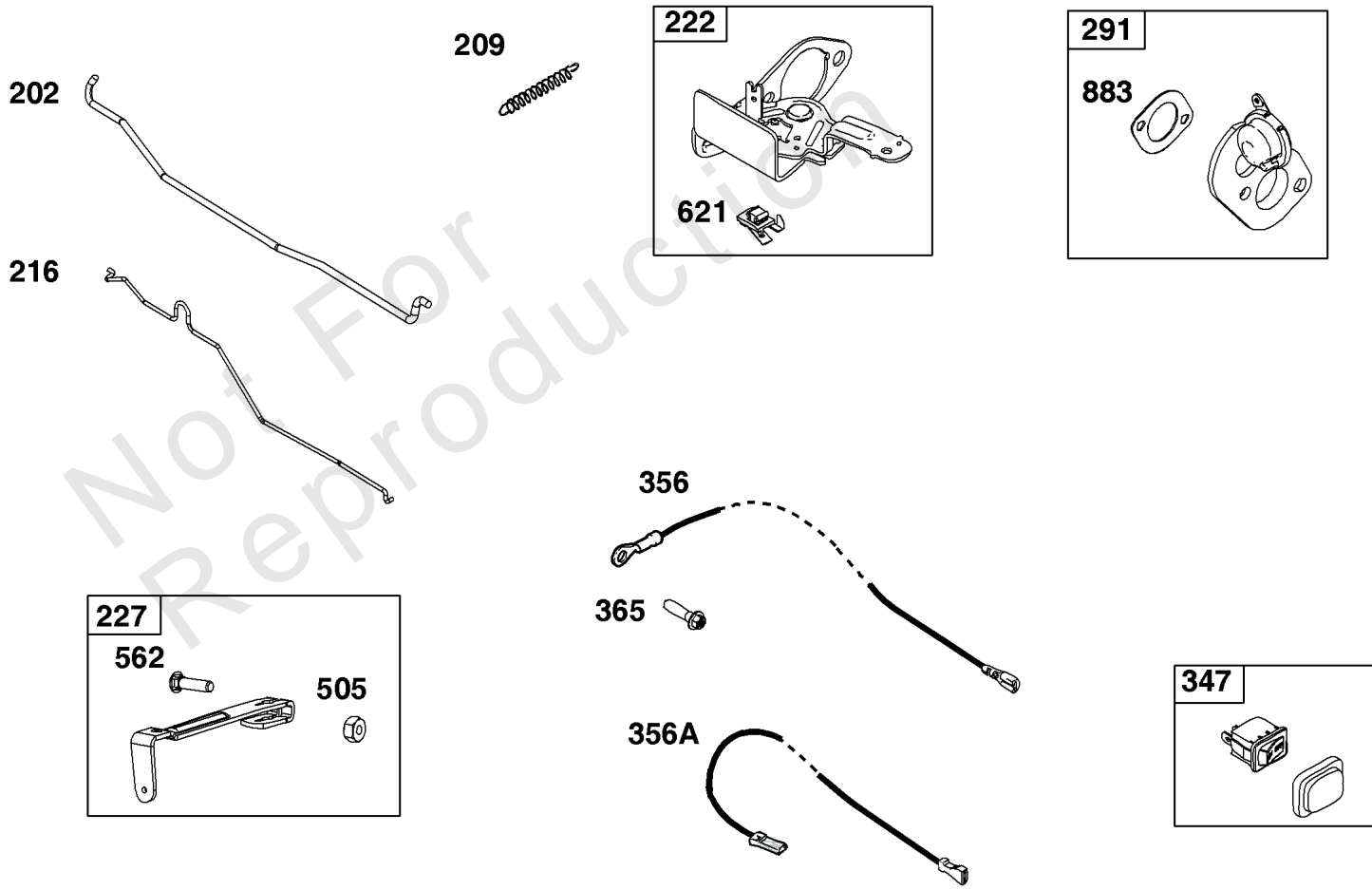
<b>REF NO</b>	<b>PART NO</b>	<b>QTY</b>	<b>DESCRIPTION</b>
11	595283	1	Tube-Breather
163	691894	2	Gasket-Air Cleaner
305	590586	3	Screw -(Blower Housing)
305	590586	3	Screw -(Blower Housing)
535	595297	1	Filter-Air Cleaner Foam
58	591108	1	Rope-Starter
60	281434S	1	Grip-Starter Rope
770	595292	1	Kit-Rewind/Blower Housing
875	595295	1	Base-Air Cleaner
968	595294	1	Cover-Air Cleaner
971	595296	2	Screw -(Air Cleaner Base to Carburetor/Throttle Body)

Not For  
Reproduction



## Carburetor and Fuel Supply Group

REF NO	PART NO	QTY	DESCRIPTION
51	796596	1	Gasket-Intake
98	847139	1	KIT, Idle Speed
104	797622	1	Pin-Float Hinge
117	798660	1	Jet-Main -(Standard)
118	798606	1	JET, Main -(High Altitude)
121	592172	1	Kit-Carburetor Overhaul
122	595285	1	Spacer-Carburetor
125	595390	1	Carburetor
127	694468	1	Plug-Welch (Bowl Vent)
130	797630	1	Valve-Throttle
133	797626	1	Float-Carburetor
134	799177	1	Kit-Needle/Seat
137	797625	1	Gasket-Float Bowl
163	691894	2	Gasket-Air Cleaner
187	791766	1	LINE, Fuel
217	799179	1	Spring-Choke Return
276	797632	1	Washer-Sealing
365	699484	2	Screw -(Carburetor/Throttle Body)
601	791850	2	CLAMP, Hose
623	793628	1	Seal-O Ring -(Carburetor Spacer)
633	797629	2	SEAL, Choke/Throttle Shaft
957	594061	1	Cap-Fuel Tank
972	594112	1	TANK, Fuel
975	797631	1	Bowl-Float
1011	595293	1	Tube-Vent




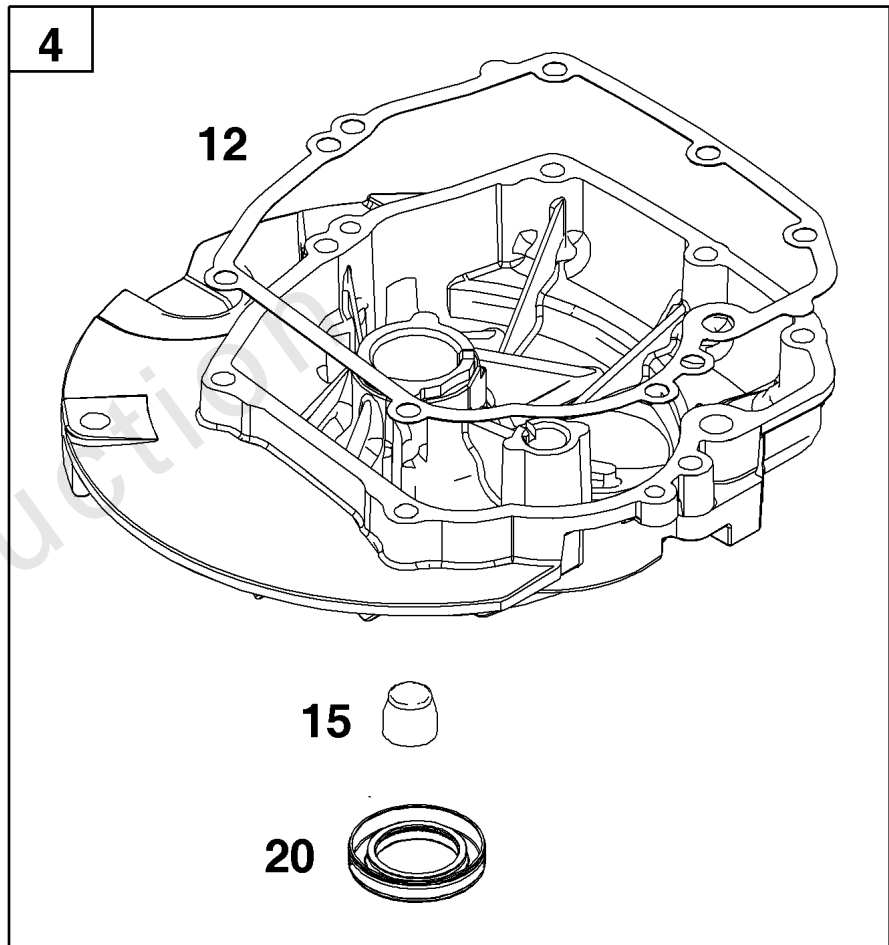
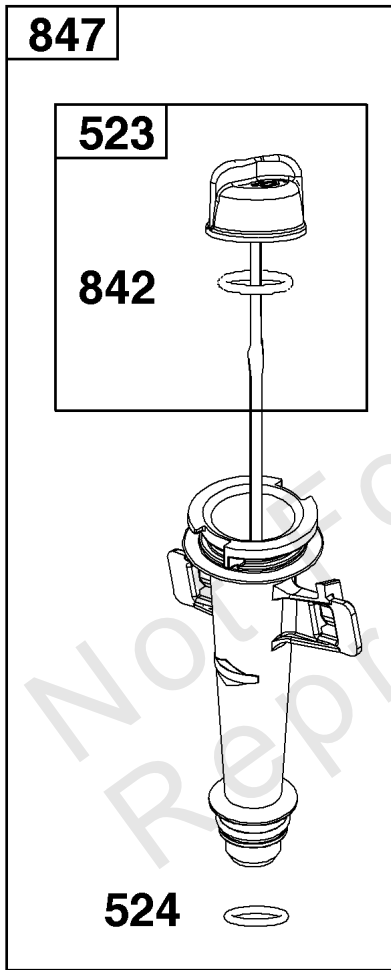


## Controls Group

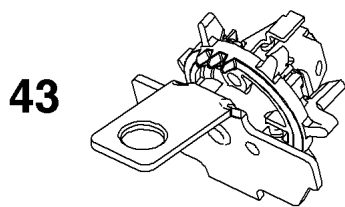
REF NO	PART NO	QTY	DESCRIPTION
202	595282	1	Link-Mechanical Governor
209	793604	1	Spring-Governor
216	595299	1	Link-Choke
222	796482	1	Bracket-Control
227	595284	1	Lever-Governor Control
291	798938	1	Thermostat
347	592694	1	Switch-Rocker
356	798942	1	Wire-Stop
356A	798943	1	Wire-Stop
365	699484		Screw
505	793515	1	NUT -(Governor Control Lever)
562	793514	1	Bolt -(Governor Control Lever)
621	692310	1	Switch-Stop
883	793497	1	Gasket-Exhaust

Not For  
Reproduction

718 



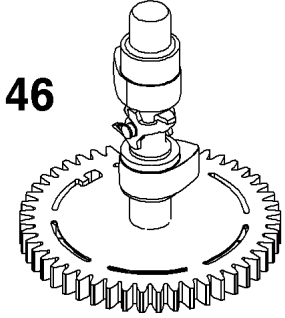
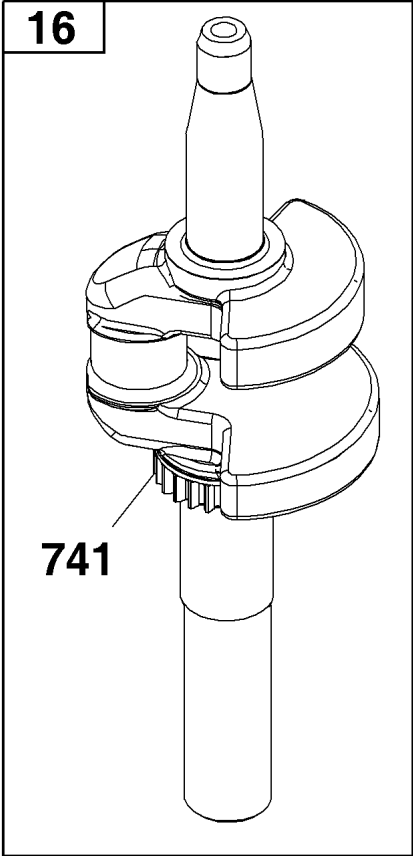
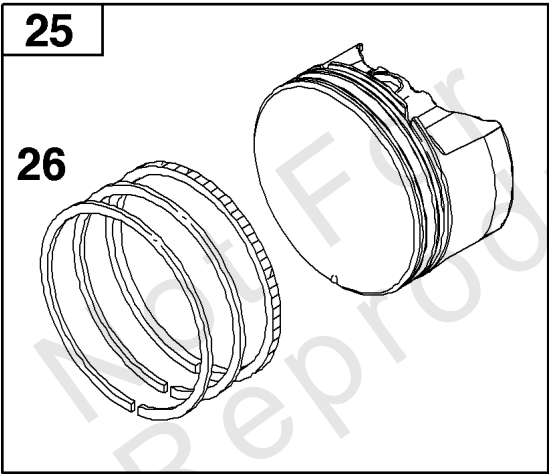
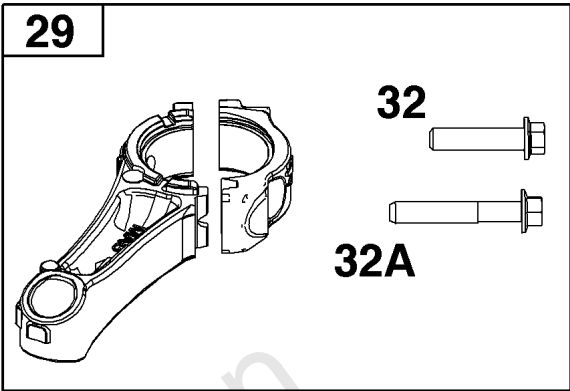
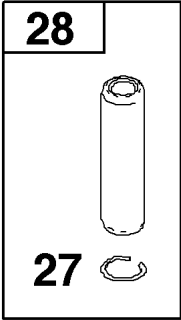
22 



## ***Crankcase Cover/Sump and Lubrication Group***

<b>REF NO</b>	<b>PART NO</b>	<b>QTY</b>	<b>DESCRIPTION</b>
4	493279	1	Sump, Engine
12	692232	1	Gasket-Crankcase
15	691680	1	Plug-Oil Drain (Hex Head)
20	399781S	1	Seal-Oil -(PTO Side)
22	691092	6	Screw (Crankcase Cover Sump) -(Crankcase Cover/Sump)
22	691092	1	Screw (Crankcase Cover Sump) -(Crankcase Cover/Sump)
43	593913	1	SLINGER, Governor/Oil
523	796503	1	DIPSTICK
524	691876	1	Seal-O Ring -(Dipstick Tube)
718	690959	2	PIN, Locating
842	691031	1	SEAL, O-Ring -(Dipstick Cap)
847	596092	1	DIPSTICK/TUBE ASSEMBLY

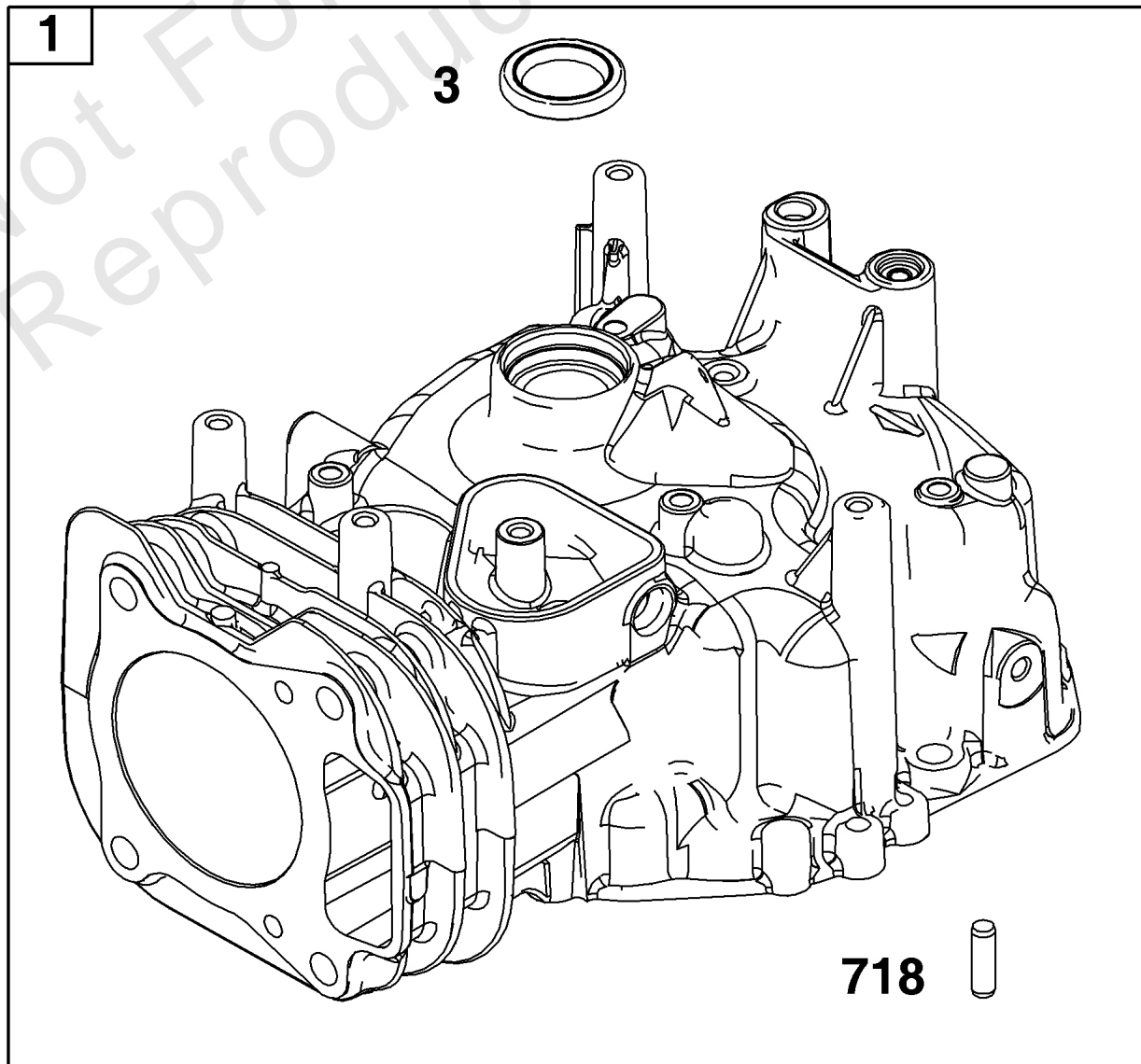
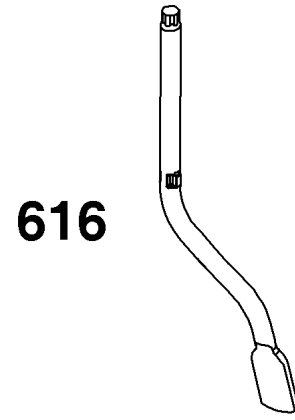
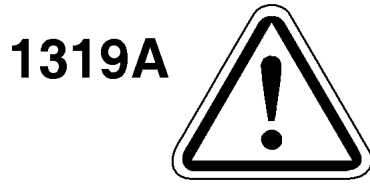
Not For  
Reproduction



## Crankshaft Group

REF NO	PART NO	QTY	DESCRIPTION
16	799337	1	Crankshaft
24	222698S	1	KEY, Flywheel
25	590404	1	Piston Assembly
25	590405		Piston Assembly - (.020 Oversize)
26	590402	1	Ring Set
26	590403		Ring Set - (.020 Oversize)
27	691588	1	Lock-Piston Pin
28	298909	1	Pin-Piston
29	796470	1	Rod-Connecting
32	691664	1	Screw -(Connecting Rod)
32A	695759	1	Screw (Connecting Rod) -(Connecting Rod)
46	694039	1	Camshaft
741	797521	1	Gear-Timing

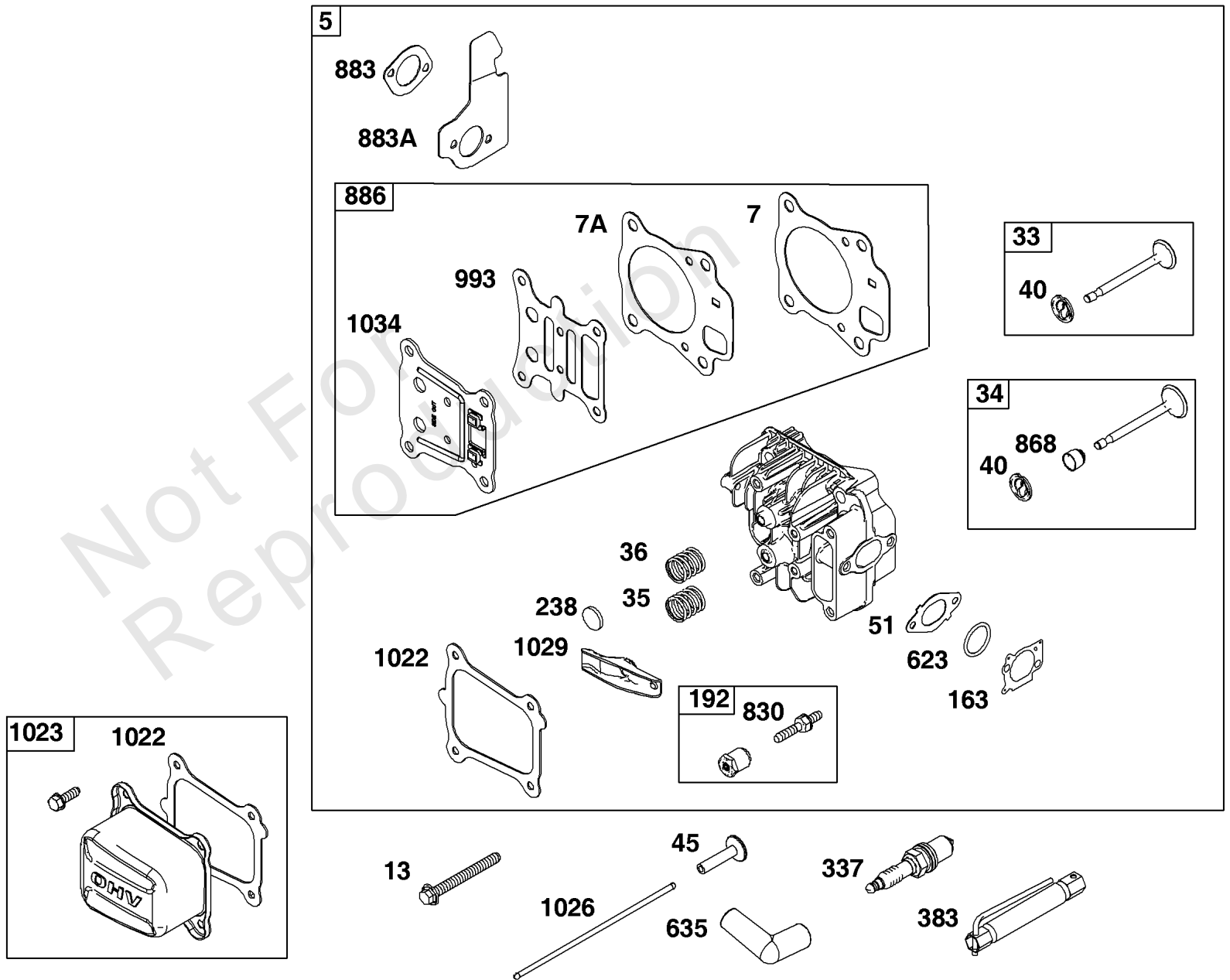
Not For  
Reproduction



## Cylinder Group

REF NO	PART NO	QTY	DESCRIPTION
1	595286	1	Cylinder Assembly
3	299819S	1	SEAL, Oil -(Magneto Side)
404	690272	1	WASHER -(Governor Crank)
615	690340	1	RETAINER, Governor Shaft
616	798327	1	Crank-Governor
718	690959	2	PIN, Locating
1263	697124	1	REED, Breather
1264	793453	1	SCREW -(Breather Reed)
1319	794467	1	LABEL, Warning -(REQUIRED When Replacing Parts With Warning Labels Affixed)
1319A	797669	1	LABEL, Warning -(REQUIRED When Replacing Parts With Warning Labels Affixed)

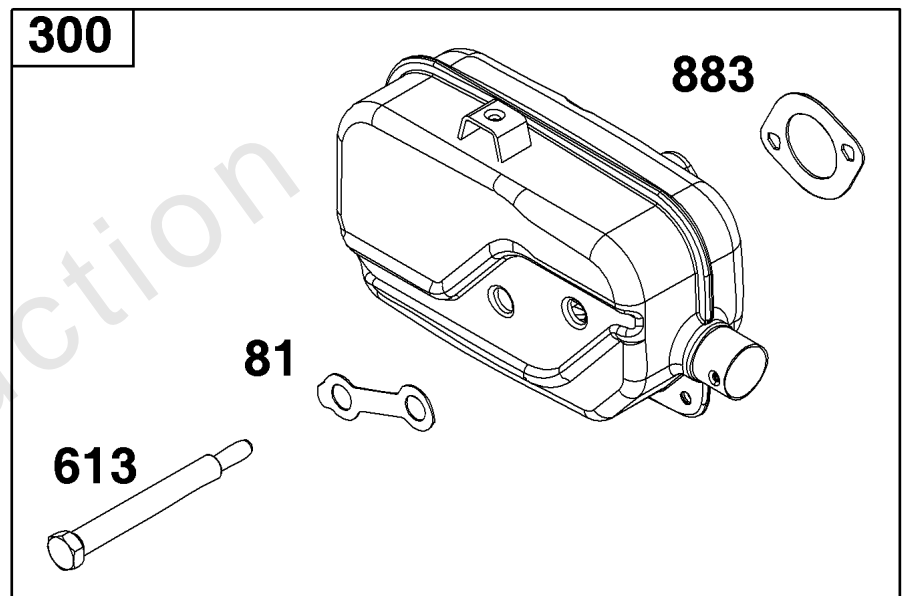
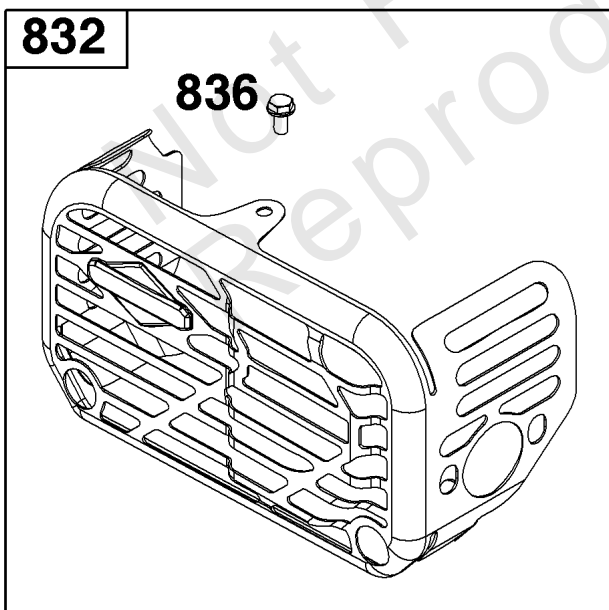
Not For  
Reproduction





## Cylinder Head Group

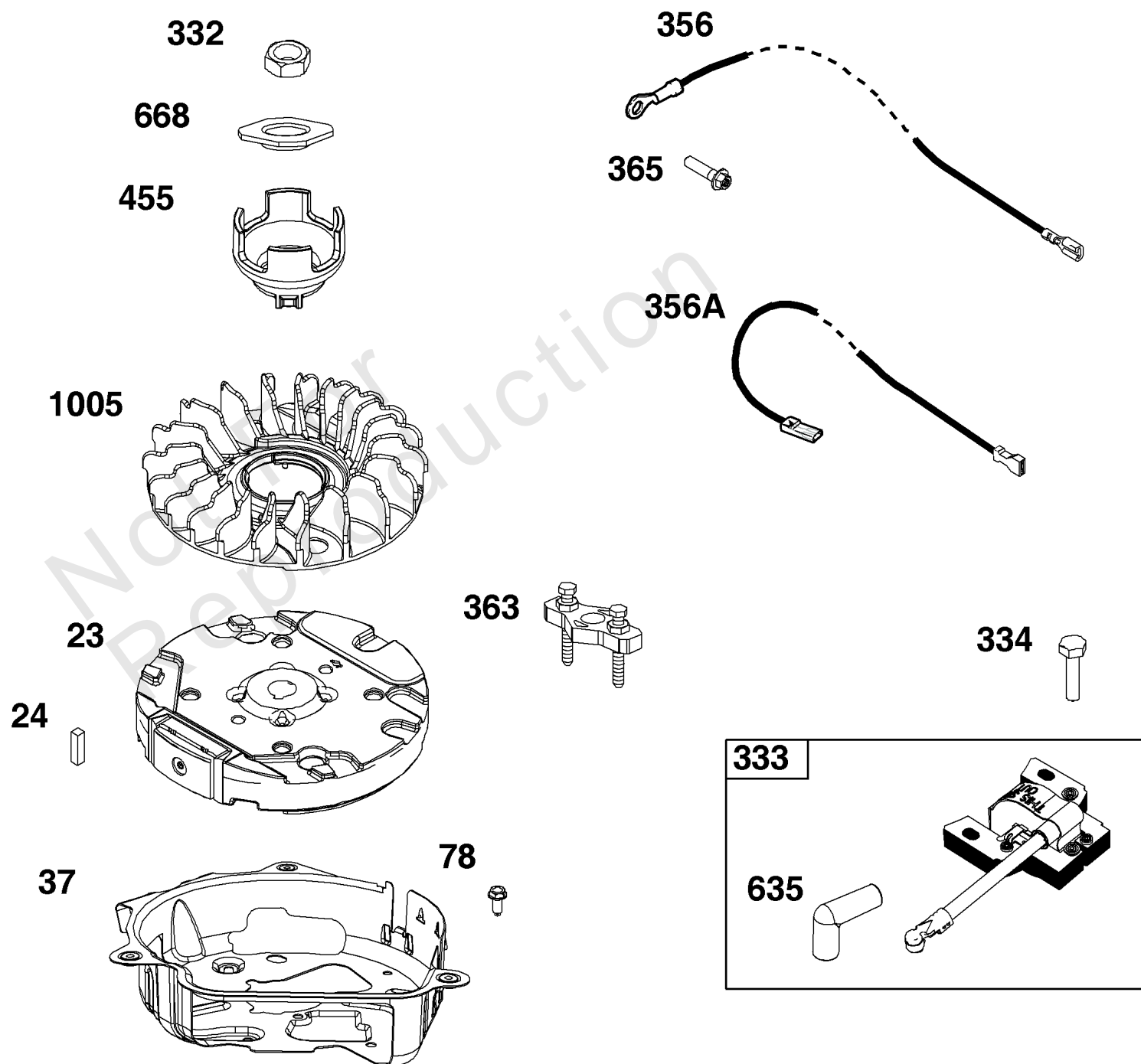
REF NO	PART NO	QTY	DESCRIPTION
5	796471	1	Head-Cylinder
7	796475	1	Gasket-Cylinder Head
13	793451	4	Screw -(Cylinder Head)
33	499642	1	Valve-Exhaust
34	795443	1	Valve-Intake
35	691304	1	Spring-Valve -(Intake)
36	691304	1	Spring-Valve -(Exhaust)
40	692194	2	Retainer-Valve
45	690977	2	TAPPET, Valve
51	796596	1	Gasket-Intake
163	691894	2	Gasket-Air Cleaner
192	796631	2	Adjuster-Rocker Arm
192	796631	2	Adjuster-Rocker Arm
238	691300	2	Cap-Valve
337	594264	1	Plug-Spark
383	19576S	1	WRENCH, Spark Plug
623	793628	1	Seal-O Ring -(Carburetor Spacer)
635	692076	1	BOOT, Spark Plug
830	796472	2	Stud-Rocker Arm
868	795440	1	Seal-Valve
883	793497	2	Gasket-Exhaust
883A	690959	2	PIN, Locating
886	799492	1	Gasket Kit-Cylinder Head/Plate
993	796473	1	Gasket-Cylinder Head Plate
1022	796480	2	Gasket-Rocker Cover
1023	796479	1	Cover-Rocker
1026	796481	2	Rod-Push
1029	691230	2	Arm-Rocker
1034	691343	1	Guide-Push Rod



## *Exhaust Group*

REF NO	PART NO	QTY	DESCRIPTION
883	793497	2	Gasket-Exhaust
300	798940	1	Muffler
613	796496	2	Screw -(Muffler)
81	691740	1	Lock-Muffler Screw
836	793500	3	Screw -(Muffler Guard)
832	593411	1	Guard-Muffler

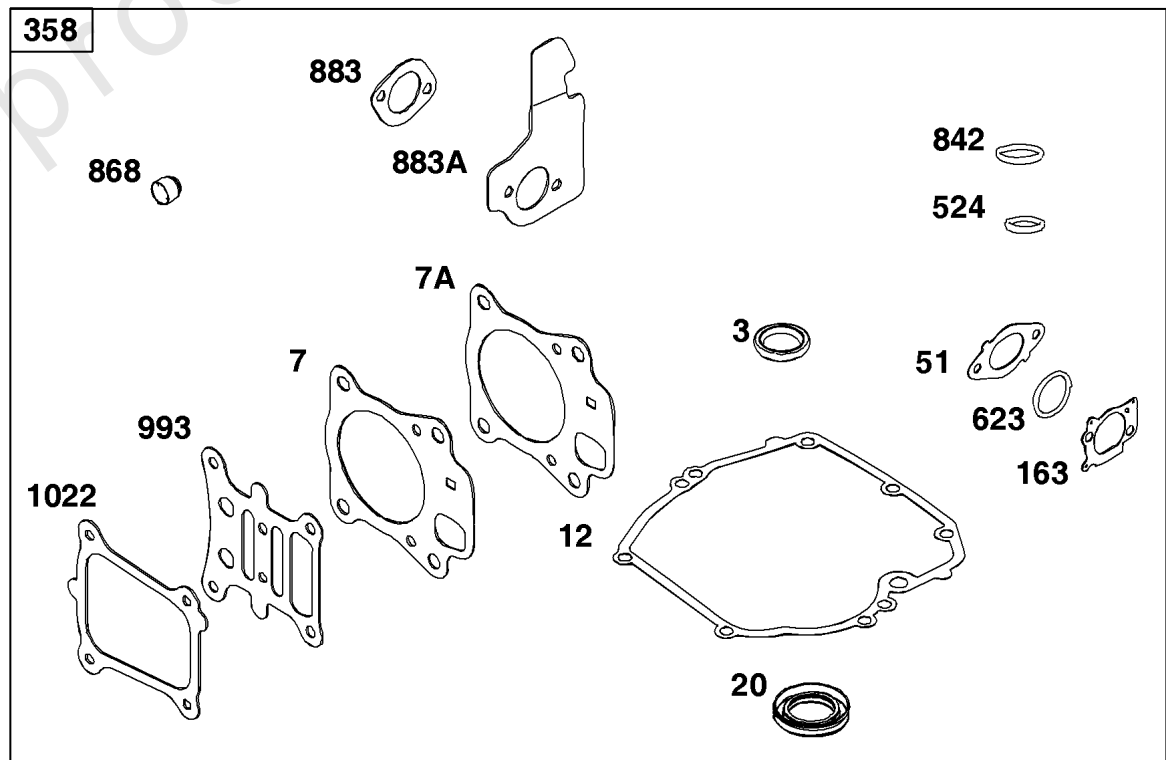
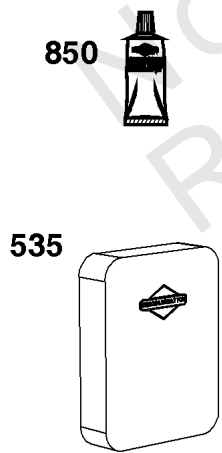
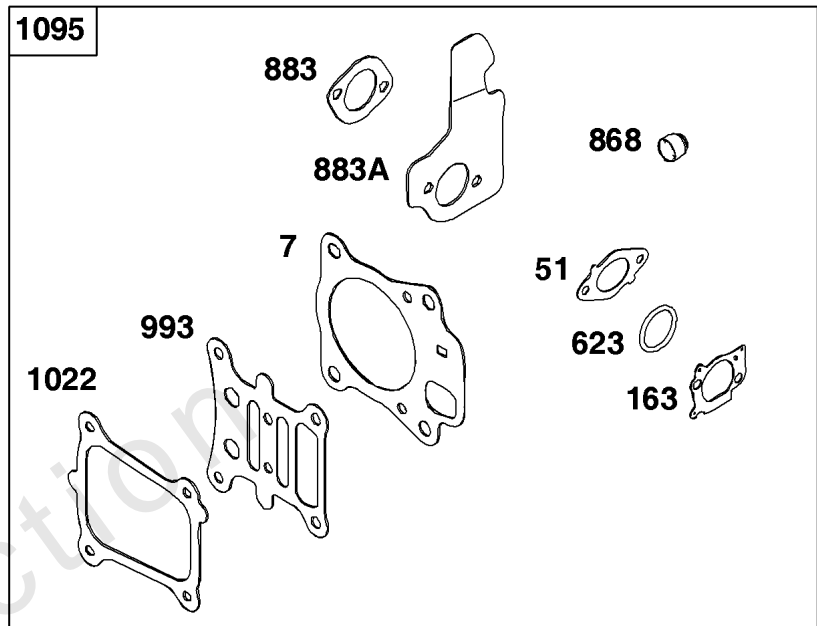
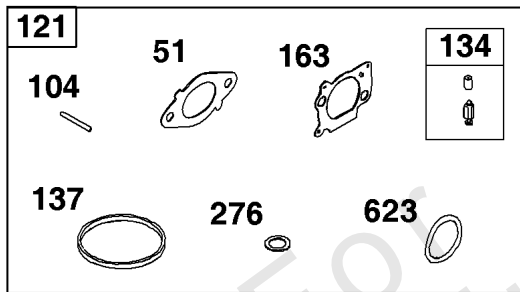
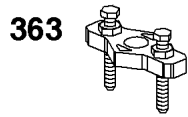
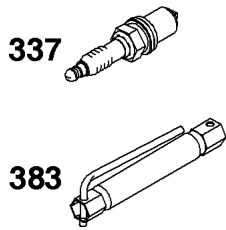
Not For  
Reproduction



## ***Flywheel, Ignition, and Starter Group***

<b>REF NO</b>	<b>PART NO</b>	<b>QTY</b>	<b>DESCRIPTION</b>
23	595288	1	Flywheel
24	222698S	1	KEY, Flywheel
37	595290	1	Guard-Flywheel
78	793480	5	SCREW -(Flywheel Guard)
332	690662	1	Nut -(Flywheel)
333	595291	1	Armature-Magneto
334	793454	2	Screw -(Magneto Armature)
356	798942	1	Wire-Stop
356A	798943	1	Wire-Stop
363	19069	1	Puller-Flywheel (Optional Accessory)
365	699484	1	Screw
455	593960	1	Cup-Flywheel
635	692076	1	BOOT, Spark Plug
668	590546	1	Spacer
1005	595289	1	Fan-Flywheel

Not For  
Reproduction



## Service Parts and Tools Group

REF NO	PART NO	QTY	DESCRIPTION
3	299819S	1	SEAL, Oil -(Magneto Side)
7	796475	1	Gasket-Cylinder Head
12	692232	1	Gasket-Crankcase
20	399781S	1	Seal-Oil -(PTO Side)
51	796596	1	Gasket-Intake
104	797622	1	Pin-Float Hinge
137	797625	1	Gasket-Float Bowl
276	797632	1	Washer-Sealing
121	592172	1	Kit-Carburetor Overhaul -(Service Kits may include extra parts not specific to this engine.)
134	799177	1	Kit-Needle/Seat
163	691894	2	Gasket-Air Cleaner
337	594264	1	Plug-Spark
358	592173	1	Gasket Set-Engine -(Service Kits may include extra parts not specific to this engine.)
363	19069	1	Puller-Flywheel (Optional Accessory)
383	19576S	1	WRENCH, Spark Plug
524	691876	1	Seal-O Ring -(Dipstick Tube)
535	595297	1	Filter-Air Cleaner Foam
623	793628	1	Seal-O Ring -(Carburetor Spacer)
842	691031	1	SEAL, O-Ring -(Dipstick Cap)
850	100106	1	SEALANT, Liquid
868	795440	1	Seal-Valve
883	793497	2	Gasket-Exhaust
883A	690959	2	PIN, Locating
993	796473	1	Gasket-Cylinder Head Plate
1022	796480	2	Gasket-Rocker Cover
1095	592174	1	Gasket Set-Valve -(Service Kits may include extra parts not specific to this engine.)

